



Z-Class air powered hydraulic pumps for bolting applications

Shown: ZA4204TX-QR



- Features **Z-CLASS** high-efficiency pump design; higher oil flow and bypass pressure
- Two-speed operation and high by-pass pressure reduces cycle time for improved productivity
- Heat exchanger warms exhaust air to prevent freezing and cools the oil
- Ergonomic pendant allows remote operation up to 20 feet
- Glycerin filled pressure gauge with transparent overlays in Ft.lbs and Nm for Enerpac torque wrenches provide a quick torque reference
- Regulator-Filter-Lubricator with removeable bowls and auto drain is standard
- Valve technology reduces oil operating temperatures and withstands contaminants to increase pump reliability



◀ Most hydraulic torque wrenches can be powered by the Enerpac ZA4T-Series torque wrench pump.

Z Tough.
Dependable.
Innovative.
CLASS



Pump Ratings

-**Q** suffix pumps are for 10,000 psi torque wrenches, and include spin-on couplers.

-**E** suffix pumps are for use with Enerpac SQD and HXD 11,600 psi torque wrenches, and include polarized locking safety couplers.



Twin Torque Wrench Hoses

Use Enerpac THQ-700 series twin hoses with 10,000 psi pumps, or use THC-700 series twin hoses with 11,600 psi pumps.

10,000 psi	
19.5 feet long, 2 hoses	THQ-706T
39 feet long, 2 hoses	THQ-712T
11,600 psi	
19.5 feet long, 2 hoses	THC-7062
39 feet long, 2 hoses	THC-7122

ZA4T Specifications



ZA4T-Series Pump Applications

The ZA4T-Series pump is best suited to power medium to large size torque wrenches.

Patent-pending **Z-CLASS** technology provides high by-pass pressures for increased productivity. Its high power to

weight ratio and compact design make it ideal for applications which require easy transport of the pump.

For further application assistance contact your local Enerpac office.

ZA4T Series

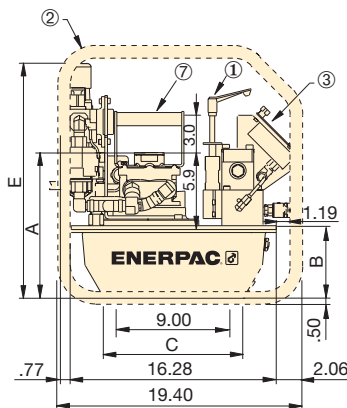
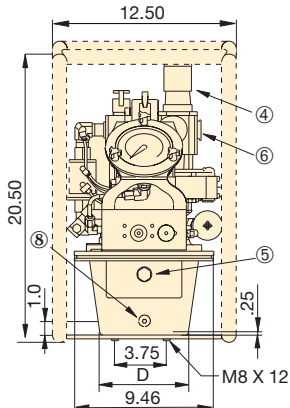


Reservoir Capacity:
1 and 1.75 gal.

Flow at 10,000 psi:
60 in³/min.

Maximum Operating Pressure:
10,000 and 11,600 psi

Dimensions shown in inches.

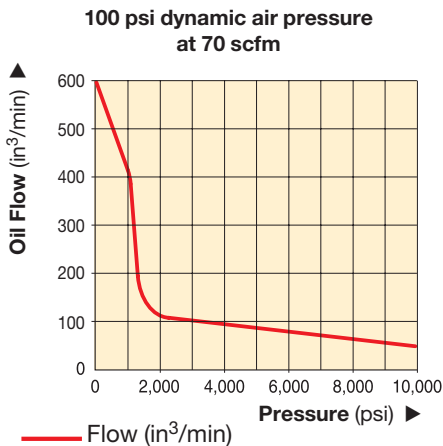


- ① User adjustable relief valve
- ② Roll bar cage (optional)
- ③ Gauge with overlays
- ④ Filter/lubricator/regulator
- ⑤ Oil level sight gauge
- ⑥ Air input 1/2" NPTF
- ⑦ Standard handle
- ⑧ Oil drain

ZA4T-Series Torque Wrench Pumps

Reservoir Size (useable gallons)	A (in)	B (in)	C (in)	D (in)	E (in)
1	11.5	5.6	11.0	6.0	18.4
1.75	11.5	5.6	11.3	8.1	18.4

Flow Chart



ATEX Certified

The ZA-series pumps are tested and certified according to the Equipment Directive 94 / 9 / EC "ATEX Directive". The explosion protection is for equipment group II, equipment category 2 (hazardous area zone 1), in gas and/or dust atmospheres. The ZA-series pumps are marked with: Ex II 2 GD ck T4.



COMMON PUMP MODELS

For Use With Torque Wrenches	Maximum Operating Pressure (psi)	Model Number 1)	Usable Oil Capacity (gal)	Weight with Oil (lbs)
S1500 S3000 S6000 S11000 S25000 W2000 W4000 W8000 W15000	10,000	ZA4204TX-Q	1.0	92.8
	10,000	ZA4208TX-Q	1.75	103.1
	10,000	ZA4204TX-QR	1.0	100.3
SQD-75-I SQD-100-I SQD-160-I SQD-270-I HXD-120 HXD-240	11,600	ZA4204TX-E	1.0	92.8
	11,600	ZA4208TX-E	1.75	103.1
	11,600	ZA4204TX-ER	1.0	100.3

1) All models meet CE safety requirements and all CSA requirements.



Accessory Options

Available by placing the following additional suffix at the end of the model number:

- K = Skidbar
- M = 4-wrench manifold
- R = Roll cage

ZA4T Torque Wrench Pumps



ENERPAC

The Industrial Tools Line

Cylinders

- General Purpose
- Pancake
- Aluminum Lightweight
- Low Height
- Heavy Duty
- Hollow Plunger
- Industrial
- Pull
- Long Stroke
- Jacks
- Spread

Pumps

- Manual
- Electric Driven
- Compressed Air Driven
- Petrol Driven

System Components

- Hoses, Couplers, Oil
- Gauges, Adaptors
- Manifolds, Fittings

Valves

- 3-and 4-Way Directional
- Pressure and Flow Control

Presses

- Bench and Workshop
- Roll Frame Presses
- Arbor and C-Clamps

Pullers

- Master Pullers Sets
- Multi Purpose Puller Sets
- Posi Lock® Pullers

Tools

- Maintenance Sets
- Punches
- Machine Lifts
- Load Skates
- Cutters
- Pipe Benders

Bolting Tools

- Nut Splitters
- Flange/Wedge Spreaders
- Flange Alignment Tools
- Torque Wrenches
- Hydraulic Wrench Pumps
- Twin Safety Hoses

Integrated Hydraulic Solutions

- Stage Lift Systems
- Synchronous Lifting Systems
- Synchronous Hoisting Systems

Enerpac Worldwide Locations

Africa

ENERPAC Middle East FZE
Office 423, JAFZA 15
P.O. Box 18004
Jebel Ali, Dubai
United Arab Emirates
Tel:+971 (0)4 8872686
Fax:+971 (0)4 8872687

Australia, New Zealand

Actuant Australia Ltd.
Block V Unit 3
Regents Park Estate
391 Park Road
Regents Park NSW 2143
(P.O. Box 261) Australia
Tel:+61 297 438 988
Fax:+61 297 438 648

Brazil

Power Packer do Brasil Ltda.
Rua dos Inocentes, 587
04764-050 - Sao Paulo (SP)
Tel:+55 11 5687 2211
Fax:+55 11 5686 5583
Toll Free: 0800 891 5770
vendabrasil@enerpac.com

Canada

Actuant Canada Corporation
6615 Ordan Drive, Unit 14-15
Mississauga, Ontario L5T 1X2
Tel:+1 905 564 5749
Fax:+1 905 564 0305
Toll Free:
Tel: +1 800 268 4987
Fax:+1 800 461 2456
Technical Inquiries:
techservices@enerpac.com

China

Actuant Industries Co., Ltd.
No. 6 East Nanjing Road
Taicang, Jiangsu Province
215400, China
Tel:+86 0512 5328 7500
Fax:+86 0512 5335 9690

Actuant China Ltd. (Beijing)
709B Diyang Building
Xin No. 2
Dong San Huan North Rd.
Beijing City, 100028 China
Tel: +86 10 845 36166
Fax:+86 10 845 36220

Japan

Applied Power Japan LTD KK
Besshocho 85-7
Kita-ku, Saitama-shi 331-0821
Japan
Tel:+81 48 662 4911
Fax:+81 48 662 4955

France and Switzerland

ENERPAC Une division de ACTUANT
France S.A.
ZA de Courtaboeuf
32, avenue de la Baltique
91140 VILLEBON /YVETTE
France
Tel:+33 1 60 13 68 68
Fax:+33 1 69 20 37 50

Germany, Austria, Switzerland, Greece, Central and Eastern Europe

ENERPAC GmbH
P.O. Box 300113
D-40401 Düsseldorf
Willstätterstrasse 13
D-40549 Düsseldorf Germany
Tel:+49 211 471 490
Fax:+49 211 471 49 28

India

ENERPAC Hydraulics
(India) Pvt. Ltd.
No. 1A, Peenya Industrial Area,
IInd Phase,
Bangalore, 560 058
India
Tel:+91 80 40 792 777
Fax:+91 80 40 792 792

Italy

ENERPAC S.p.A.
Via Canova 4
20094 Corsico (Milano)
Tel:+39 02 4861 111
Fax:+39 02 4860 1288

Middle East, Turkey and Caspian Sea

ENERPAC Middle East FZE
Office 423, JAFZA 15
P.O. Box 18004
Jebel Ali, Dubai
United Arab Emirates
Tel:+971 (0)4 8872686
Fax:+971 (0)4 8872687

Russia and CIS

(excl. Caspian Sea Countries)
Actuant LLC
Admiral Makarov Street 8
125212 Moscow
Russia
Tel:+7-495-9809091
Fax:+7-495-9809092

Scandinavia

Enerpac Scandinavia AB
Fabriksgatan 7
41250 Gothenburg
Sweden
Tel:+46 31 7990281
Fax:+46 31 7990010

Singapore

Actuant Asia Pte Ltd.
37C, Benoi Road Pioneer Lot,
Singapore 627796
Tel:+65 68 63 0611
Fax:+65 64 84 5669
Toll Free:
Tel: +1800 363 7722
Technical Inquiries:
techsupport@enerpac.com.sg

South Korea

Actuant Korea Ltd.
3Ba 717, Shihwa Industr. Complex
Jungwang-Dong, Shihung-Shi,
Kyunggi-Do
Republic of Korea 429-450
Tel:+82 31 434 4506
Fax:+82 31 434 4507

Spain and Portugal

ENERPAC SPAIN, S.L.
Avda. Los Frailes 40 – Nave C & D
Pol. Ind. Los Frailes
28814 Daganzo de Arriba (Madrid)
Spain
Tel:+34 91 661 11 25
Fax:+34 91 661 47 89

The Netherlands, Belgium, Luxembourg, Denmark, Norway, Finland, Baltic States

ENERPAC B.V.
Galvanistraat 115, 6716 AE Ede
P.O. Box 8097, 6710 AB Ede
The Netherlands
Tel:+31 318 535 911
Fax:+31 318 525 613
+31 318 535 848
Technical Inquiries Europe:
techsupport.europe@enerpac.com
ENERPAC
Daalakkerweg 24
6041 BL Roermond
P.O. Box 49, 6040 AA, Roermond
The Netherlands
Tel:+31 475 355 000
Fax:+31 475 331 774

United Kingdom and Ireland

ENERPAC Ltd.,
Bentley Road South
Darlston, West Midlands
WS10 8LQ, England
Tel:+44 (0)121 50 50 787
Fax:+44 (0)121 50 50 799

USA, Latin America and Caribbean

ENERPAC
P.O. Box 3241
6100 N. Baker Road
Milwaukee, WI 53209 USA
Tel:+1 262 781 6600
Fax:+1 262 783 9562
User inquiries:
+1 800 433 2766
Distributor inquiries/orders:
+1 800 558 0530
Technical Inquiries:
techservices@enerpac.com
ENERPAC
704 W. Simonds
Dallas, TX 75159, USA
Tel: +1 972 287 2390
Fax:+1 972 287 4469

102808

Your Enerpac Distributor:

e-mail: info@enerpac.com
Internet: www.enerpac.com